

# Technical Data Sheet

CODE 12012

## ARIETT I

Centrifugal duct fans for flush mounting



### Certifications



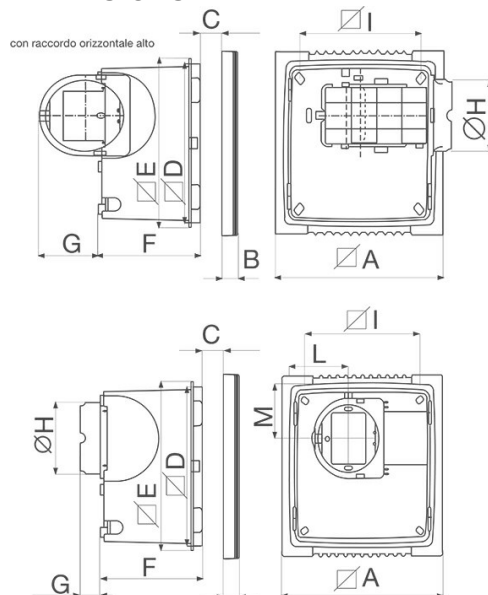
IMQ Performance



### TECHNICAL AND PERFORMANCE DATA

Absorbed Current max (A)	0,13	Ø Discharge Hole (mm)	96,5
Absorbed Power max (W)	19	Voltage (V)	230
Frequency (Hz)	50	Weight (Kg)	1,9
Insulation Class	II°	Delivery max (l/s)	uscita:posteriore 22,2 laterale 19,4
IP	X4	Delivery max (m³/h)	80
Max ambient temperature for continuous operation (°C)	40	Pressure max (mmH2O)	11
Max. absorbed power at max speed (W)	19	Pressure max (Pa)	108
Nominal Diameter (mm)	100	RPM	2360
		RPM side air outlet - max speed	2460

### DIMENSIONS



Size A (mm)	252
Size B (mm)	23
Size C (mm)	65
Size D (mm)	214,5
Size E (mm)	228
Size F (mm)	135,3
Size G (mm)	31,5/76,7
Size H (mm)	Ø
	96,5
Size I (mm)	180
Size L (mm)	92
Size M (mm)	76

# Technical Data Sheet

CODE 12012

## ARIETT I

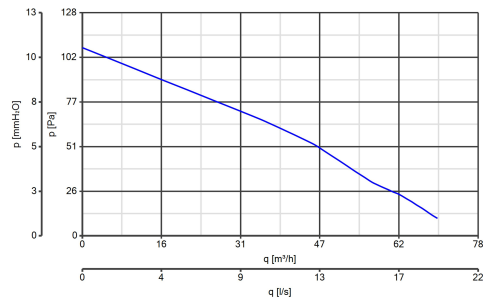
Centrifugal duct fans for flush mounting



### DESCRIPTION

- Material: UV resistant plastic (prevents ageing caused by exposure to sunlight).
- Nominal diameter: 100 mm
- Motor with thermal overload protection and shaft turning in ball bearings.
- Maximum air flow, rear: 80 m<sup>3</sup>/h
- Maximum air flow, side: 70 m<sup>3</sup>/h
- Vertical outlet port supplied as standard with spigot positionable horizontally by means of diverter.
- Rear outlet port equipped with non-return damper.
- IMQ SAFETY and IMQ PERFORMANCE certifications
- Vortice speed controller.

### CURVES



### ACCESSORIES



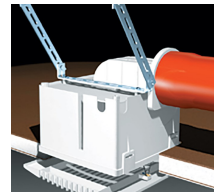
**C 1.5**  
**(COMANDO EL.**  
**1.5 A)**  
Code 12966



**SCNRB**  
**SCAT.COM.NON**  
**REV.INCASSO**  
Code 12971



**KIT**  
**CONTROSOFFITTATORE**  
Code 22823



**RACCORDO**  
**ORIZZONTALE**  
**ALTO**  
Code 22841

